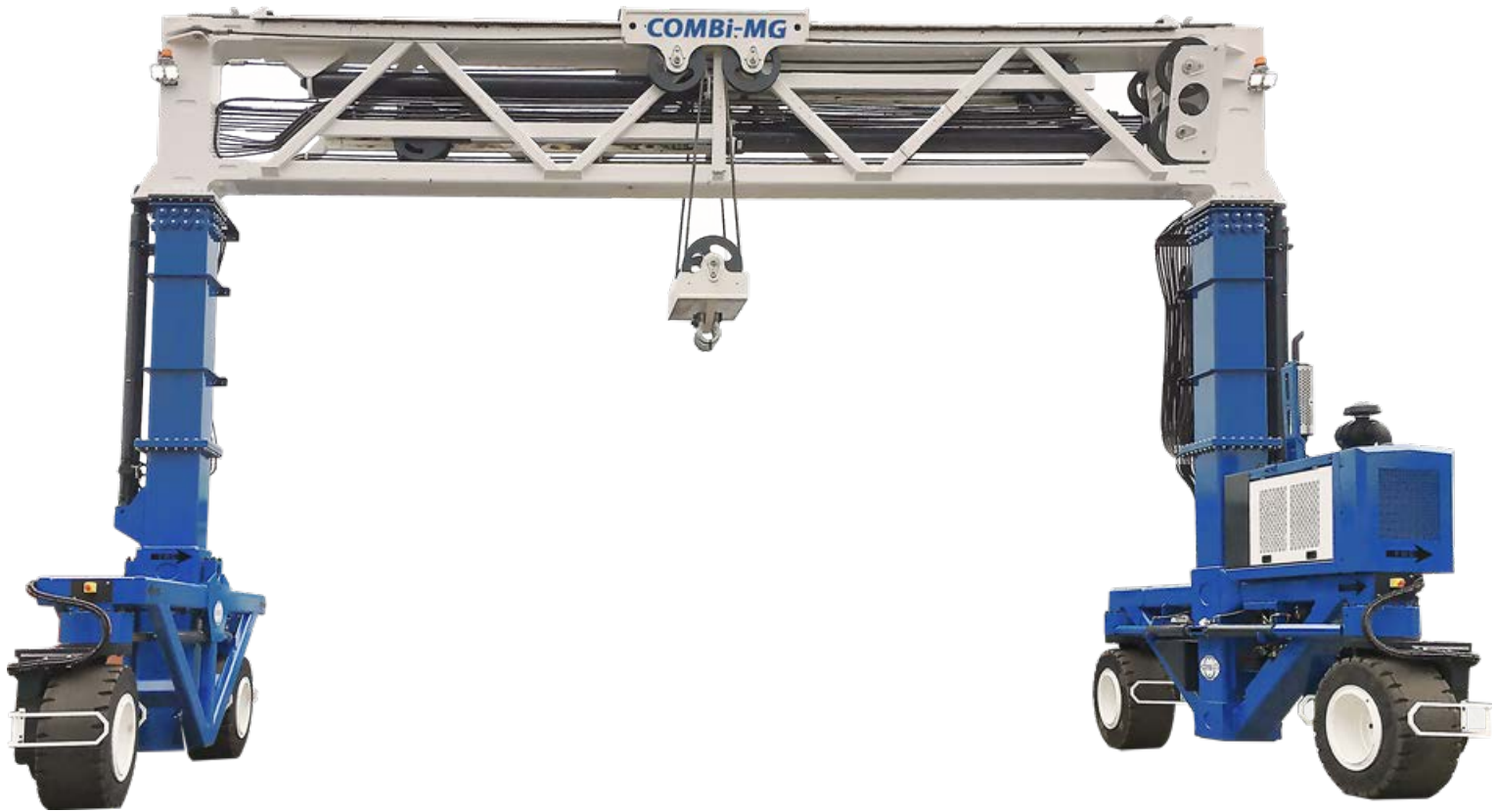


COMBi-MG

The COMBi-MG Mobile Gantry is the perfect solution for handling and conveying extremely large loads typical of industries such as shipping, aerospace, wind turbine, large scale civil industry, precast concrete and large scale structural steel industries.

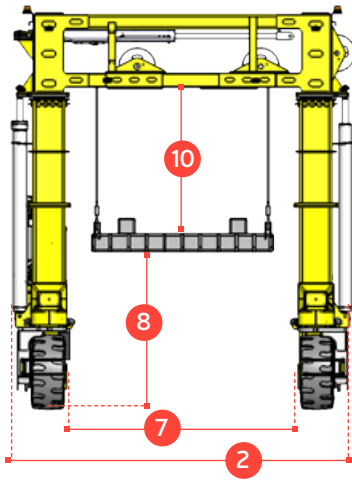
COMBiLiFT

LIFTING INNOVATION

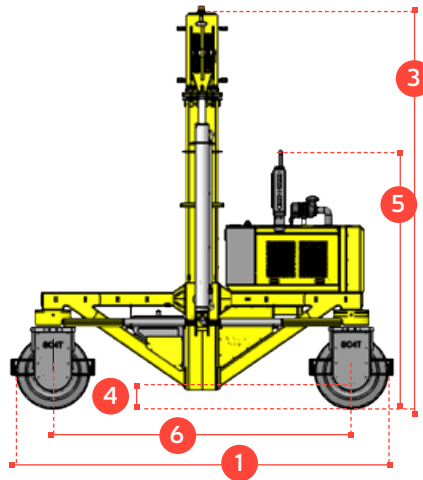


COMBi-MG

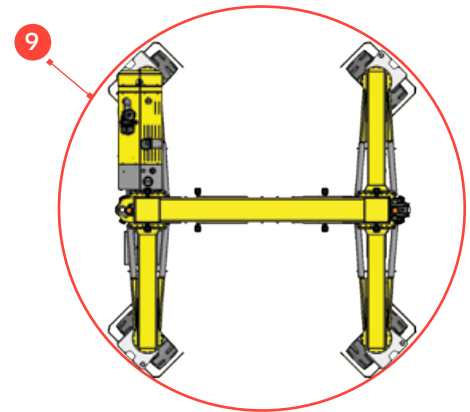
**FRONTAL
MODE**



**SiDEWARD
MODE**



**CAROUSEL
MODE**



Highly customisable to fit any load handling challenge. The COMBi-MG is highly adaptable to your needs and can be built to dimensions specifically to suit your application. It can be fitted with a very wide range of lifting accessories to suit any application or industry.

The COMBi-MG can be equipped with a rotating C-hook for handling coils, which can be operated to roll in both directions and in manual and automatic operation. With capacities ranging from 80 tonne, it's a safe choice to go with the COMBi-MG.

STANDARD BUILD *CUSTOMISATION AVAILABLE		IMPERIAL	
REF.	DESCRIPTION	MG TRAILER TO GROUND	MG-T TELESCOPIC HIGHER LIFT STROKE
1	Overall Length	29' 6"	197"
2	Overall Width	16' 9"	172"
3	Overall Height	17' 6"	217" - 287"
4	Ground Clearance under Side Section	9½"	11"
5	Height Over Engine	80½"	106"
6	Wheelbase	151½"	163"
7	Width of Load Area	227½"	118"
8	Height of Load Area	127"	157" - 228"
9	Minimum Outside Radius	181"	264"
10	Lift Stroke	47½"	71"
A	Capacity	44,000lbs - 200,000lbs	
B	Unladen Weight	29,000lbs	
C	Gradeability	5% Fully Loaded	
D	Maximum Ground Speed	4mph	
E	V3800 Kubota Diesel Engine	96HP	
F	Electrics	12 Volt	
G	Tyres	4 x Super Elastic Puncture Proof Tyres	
H	Standard Colour	Yellow & Gray	

COMBi-MG

Steering Functions:



PICTURED ABOVE: 2 **COMBi-MG** machines working in tandem handling wind turbine blades



COMBi-MG

Spec your own COMBi-MG

Width Calculator

A = CRTG machine width and clearance
B = Load width
C = Overall width

$$A + A + B = C$$

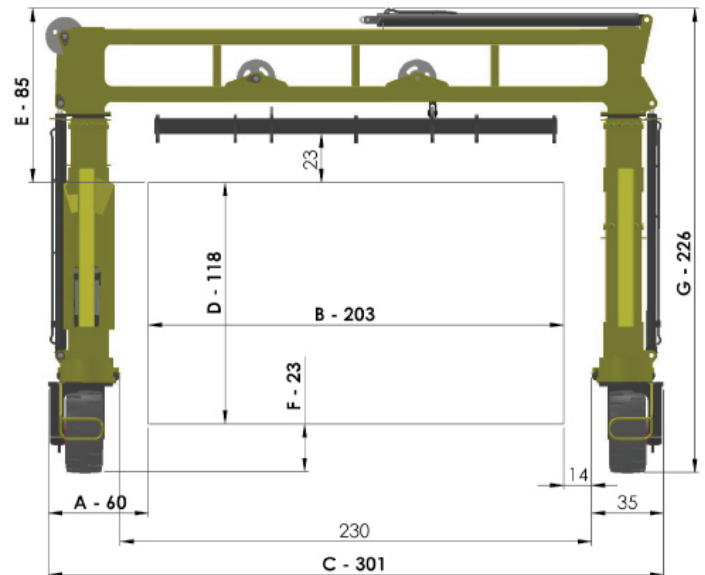
Height Calculator

D = Height of load
E = Distance from load to top of machine
F = Lift height required
G = Overall height

$$D + E + F = G$$



***ALL DIMENSIONS IN INCHES**



Features Include:

- The MG allows for increased storage with reduced aisle widths of just 1.5m (5')
- Available in V3800 Kubota Diesel engine and LP Gas option
- Multi-directional, 6 steering options
- Overall dimensions can be customised to suit the customers application
- Proportional controlled remote control
- Side shift 5080mm/200". Full side shift from left to right increases storage and flexibility
- Independent telescopic for maximum lift whilst also capable of passing under low heights
- Independent lift allows lifting and lowering of coil/load
- Rotating C-Hook for handling coils in both directions and rotating, manual or automatic option
- Rated lift capacity from 20t to 100t

Machine options to include:

- All wheel drive
- Wheel bumper stops
- DAS (parking sensors)
- Blue light
- Telescopic Lift range from 1.8m to 3.6m
- Wire lift range from 1.4m to 5m
- Tier 4 final engine (AdBlue)

Distributed by:

COMBILIFT HAS A POLICY OF CONTINUOUS PRODUCT DEVELOPMENT AND RESERVES THE RIGHT TO ALTER SPECIFICATIONS WITHOUT PRIOR NOTICE. SPECIFICATIONS AND/OR DIMENSIONS MAY VARY FROM THOSE ILLUSTRATED IN SOME COUNTRIES.